

Specifications

Bobcat Attachments for these models:

- Auger
- Breaker
- Clamp
- Cutter Crusher
- Grading Blade
- Grading Bucket
- Grappler
- Hydra-Tilt™
- Packer Wheel
- Plate Compactor
- PowerTilt®
- Rotating Grapple
- Ripper
- Trenching Buckets
- Trencher

Performance

	430 Standard Arm	430 Extendable Arm Retracted	430 Extendable Arm Extended	430 Long Arm	435 Standard Arm	435 Long Arm
Operating Weight	8024 lb. (3640 kg)	8662 lb. (3930 kg)	8662 lb. (3930 kg)	8258 lb. (3746 kg)	10555 lb. (4788 kg)	10802 lb. (4900 kg)
Travel Speed						
Low	2.6 mph (4.2 km/h)	2.6 mph (4.2 km/h)	2.6 mph (4.2 km/h)	2.6 mph (4.2 km/h)	2.8 mph (4.5 km/h)	2.8 mph (4.5 km/h)
High	5.0 mph (8.0 km/h)	5.0 mph (8.0 km/h)	5.0 mph (8.0 km/h)	5.0 mph (8.0 km/h)	5.4 mph (8.7 km/h)	5.4 mph (8.7 km/h)
Hydraulic Pumps						
Type	Piston w/gear	Piston w/gear	Piston w/gear	Piston w/gear	Piston	Piston
Total Capacity	24 gpm (90.9 L/m)	24 gpm (90.9 L/m)	24 gpm (90.9 L/m)	24 gpm (90.9 L/m)	29.7 gpm (112.5 L/m)	29.7 gpm (112.5 L/m)
Auxiliary Flow	16.4 gpm (62.1 L/m)	16.4 gpm (62.1 L/m)	16.4 gpm (62.1 L/m)	16.4 gpm (62.1 L/m)	19.8 gpm (75.0 L/m)	19.8 gpm (75.0 L/m)
Track Shoes	Rubber (steel optional)	Rubber (steel optional)	Rubber (steel optional)	Rubber (steel optional)	Rubber (steel optional)	Rubber (steel optional)
Width	12.6 in. (320 mm)	12.6 in. (320 mm)	12.6 in. (320 mm)	12.6 in. (320 mm)	15.7 in. (400 mm)	15.7 in. (400 mm)
Ground Pressure	4.21 psi (29.0 kPa)	4.54 psi (31.3 kPa)	4.54 psi (31.3 kPa)	4.33 psi (29.9 kPa)	4.07 psi (28.1 kPa)	4.15 psi (28.6 kPa)
Overall Machine Width	70.1 in. (1780 mm)	70.1 in. (1780 mm)	70.1 in. (1780 mm)	70.1 in. (1780 mm)	76 in. (1930 mm)	76 in. (1930 mm)

Working Range

Arm Length	47.2 in. (1200 mm)	47.1 in. (1195 mm)	79.5 in. (2019 mm)	59.1 in. (1500 mm)	54 in. (1372 mm)	67.8 in. (1722 mm)
Max. Digging Height	180 in. (4571 mm)	176.8 in. (4490 mm)	189.5 in. (4812 mm)	187.2 in. (4755 mm)	210.5 in. (5346 mm)	220.0 in. (5588 mm)
Max. Dump Height	123 in. (3125 mm)	122.5 in. (3112 mm)	135.2 in. (3434 mm)	130.1 in. (3305 mm)	143.7 in. (3649 mm)	153.1 in. (3889 mm)
Max. Digging Depth	120.7 in. (3066 mm)	120.5 in. (3062 mm)	152.7 in. (3878 mm)	132.5 in. (3366 mm)	134.7 in. (3420 mm)	148.5 in. (3772 mm)
Max. Vertical Wall	85.6 in. (2175 mm)	74.7 in. (1897 mm)	106.9 in. (2714 mm)	102.5 in. (2604 mm)	101.1 in. (2568 mm)	113.5 in. (2883 mm)
Max. Reach at Ground Level	200.7 in. (5097 mm)	200.6 in. (5096 mm)	230.1 in. (5846 mm)	212.4 in. (5395 mm)	220.9 in. (5611 mm)	234.7 in. (5961 mm)
Arm Breakout Force	3860 lbf. (17170 N)	3860 lbf. (17170 N)	2678 lbf. (11912 N)	3321 lbf. (14773 N)	5262 lbf. (23406 N)	4525 lbf. (20128 N)
Bucket Breakout Force	6889 lbf. (30644 N)	6889 lbf. (30644 N)	6889 lbf. (30644 N)	6889 lbf. (30644 N)	7892 lbf. (35105 N)	7892 lbf. (35105 N)

Engine

Make / Model	Kubota V2203-M-DI-E2B-BC1		Kubota V2003-M-DI-TE2B-BC1	
Fuel / Cooling	Diesel / Liquid		Diesel / Liquid (Turbo)	
Cylinders / Displacement	Four / 134 cu.in. (2.2 L)		Four / 122 cu. in. (2.0 L)	
Horsepower / RPM	42.8 hp (31.9 kW) @2400 rpm		49 hp (36.5 kW) @2500 rpm	

Capacities

Fuel Tank	17.8 gal. (67.4 L)	17.8 gal. (67.4 L)
Hydraulic System	13.5 gal. (51.1 L)	14.3 gal. (54.2 L)
Hydraulic Reservoir	9.7 gal. (36.7 L)	9.7 gal. (36.7 L)
Cooling System	9.5 gal. (36 L)	9.5 gal. (36 L)

Drive/Swing System

Track Tensioning System	Grease cylinder / Coil spring	Grease cylinder / Coil spring
Swing Speed	9.1 rpm	9.6 rpm
Swing Clearance, Rear	34.7 in. (881 mm) (Zero Tail Swing)	37.6 in. (955 mm) (Zero Tail Swing)
Boom Swing		
Left	90°	90°
Right	50°	50°

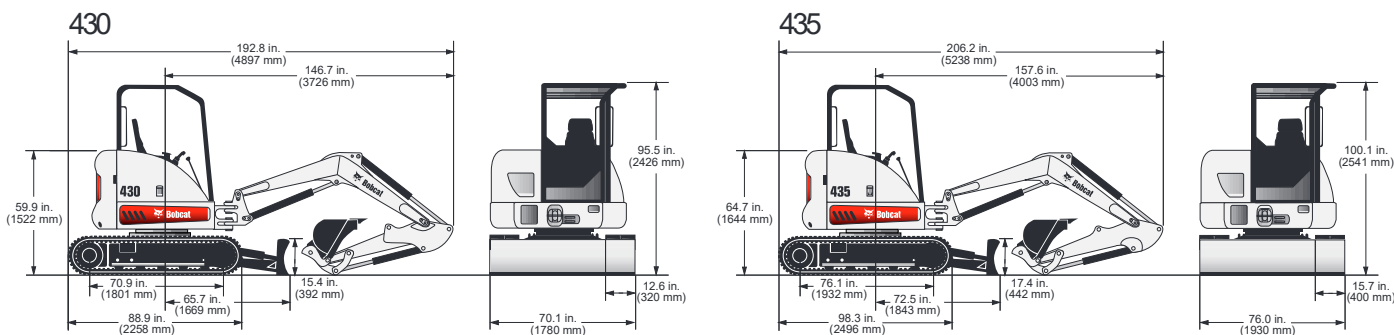
Standard Equipment

Auxiliary Hydraulics	Engine Shutdown	High-Back Suspension	Retractable Seatbelt	Work Lights
Console Control Locks	FastTrack™ Drive	Seat	Rubber Tracks	(frame-mounted
Control Pattern ISO/STD	System	Horn	Spark Arrestor Muffler	and boom-mounted)
Selector Valve	Four-Post TOPS/ROPS	Hydraulic Joystick	Swing Boom	X-Change® Attachment
Cup Holder	Canopy	Control	Two-Speed Travel	Mounting System
Dozer Blade with Float		Power Port		Zero House Swing

Options/Accessories

AM / FM Radio Kit	Keyless Ignition
Cab w/Heat	Steel Tracks
Cab w/HVAC	Travel Motion Alarm Kit

NOTE — Where applicable, dimensions are in accordance with Society of Automotive Engineers (SAE) and ISO standards. Specifications and design are subject to change without notice. Pictures of Bobcat excavators may show other than standard equipment. All dimensions are shown in inches. Respective metric dimensions are enclosed by parentheses. Bobcat Company complies with the requirements of ISO 9001 as registered with BSI.



Bobcat Company
P.O. Box 6000 • West Fargo, ND 58078
www.bobcat.com

An **IR** Ingersoll-Rand business